

Product drawing

NOTES:

1. FINISH:
 - 1.1 HOUSING: WHITE, UL94V-0.
 - 1.2 CONTACT: PHOSPHOR BRONZE, GOLD (SEE P/N) PLATED IN CONTACT AREA, 80u" MIN MATTE TIN PLATED IN SOLDER AREA, 50u" MIN. NICKEL UNDERPLATED OVERALL.
2. ELECTRICAL:
 - 2.1 CURRENT RATING: 3A;
 - 2.2 DIELECTRIC WITHSTANDING VOLTAGE: 500V AC/MINUTE.
 - 2.3 CONTACT RESISTANCE: 30mΩ MAX.
 - 2.4 INSULATION RESISTANCE: 1000MΩ MIN.
 - 2.5 OPERATION TEMPERATURE: -40°C TO +125°C.

3. ORDER INFORMATION:

63D3M-F 040 XX 088 C 01

NO OF PINS	CONTACT PLATING:	PRODUCT HEIGHT:	PACKING:
020=2x10PIN	S1=1u" Gold/Tin	088=8.80mm	C=TRAY
030=2x15PIN	S2=3u" Gold/Tin		
040=2x20PIN	S3=5u" Gold/Tin		
	S4=10u" Gold/Tin		
	S5=15u" Gold/Tin		
	S6=30u" Gold/Tin		

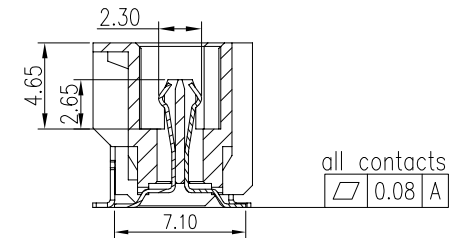
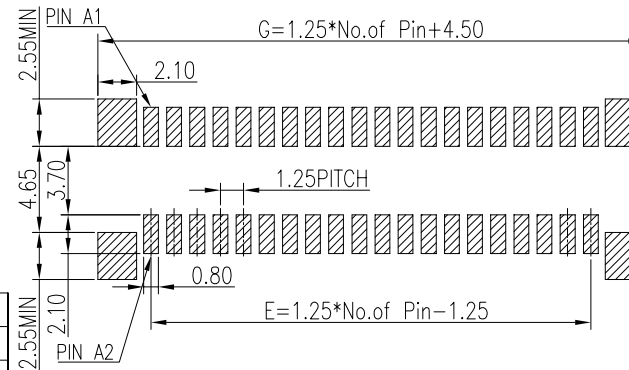
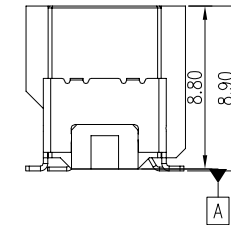
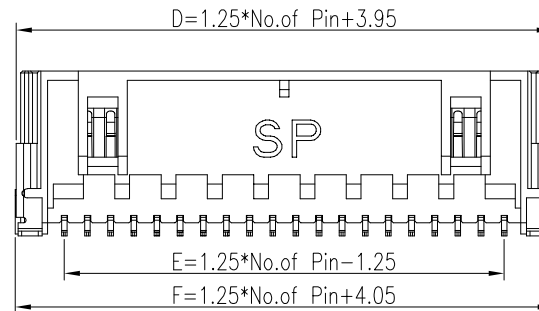
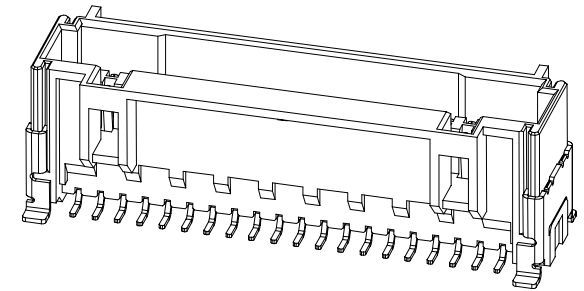
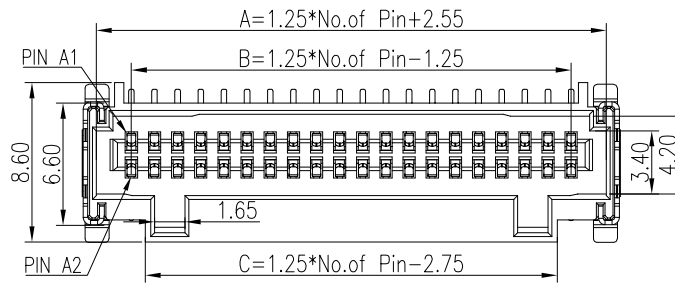


TABLE1:

No. OF PIN	A	B	C	D	E	F	G
020:2x10PIN	15.05	11.25	9.75	16.45	11.25	16.55	17.00
030:2x15PIN	21.30	17.50	16.00	22.70	17.50	22.80	23.25
040:2x20PIN	27.55	23.75	22.25	28.95	23.75	29.05	29.50

RECOMMENDED PCB LAYOUT(TOP SIDE)
PCB BOARD TOLFRANCF±0.05

						OPERATION	DRAW	MR.Zeng	2024.09.20	SOLEPIN 东莞市硕品电子有限公司 PROFESSIONAL CONNECTOR DONGGUAN SOLEPIN ELECTRONICS CO., LTD.							
						X.X ±0.40	DESIGN	Jensen	2024.09.20								
						X.XX ±0.25	CHECK	Jack	2024.09.20								
						X.XXX ±0.15	APPROVE	Andy	2024.09.20								
A0						Angle ±3'				SIZE	A4	PART NO.	63D3M-F 040 XX 088 C 01				
REV	DATE	MODIFICATION DESCRIPTION			CHANGE	APPROVE	DIM.	TOL	UNIT	mm	SCALE	1:1	SHEET	1/1	TITLE:	1.25 W/B CONN. DUAL S/T REC.ASS'Y	
										PROJ.	☯	DRAW NO.	SP-1300				

零件图

注:

1. 材质: C5191-H T=0.15*11.50mm
2. 毛边0.03mm Max, 不可压伤变形
3. 未标注R角为R0.13
4. 预断线来回折料45° 两次需断.
5. 外观: 产品形状与图纸和样品相符, 氧化、发白、发黑、变形等.
6. 标“▲”为重点尺寸标示.
7. 标“△”为变更内容

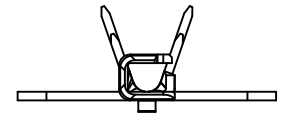
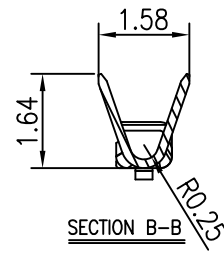
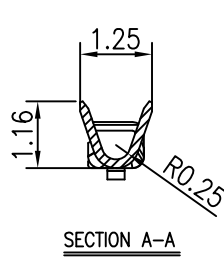
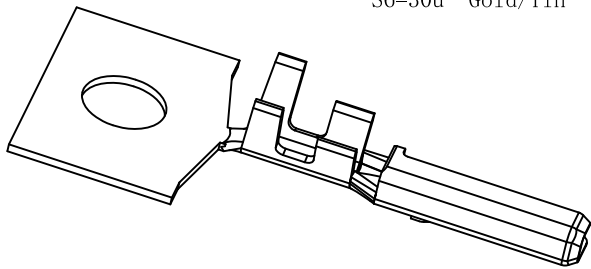
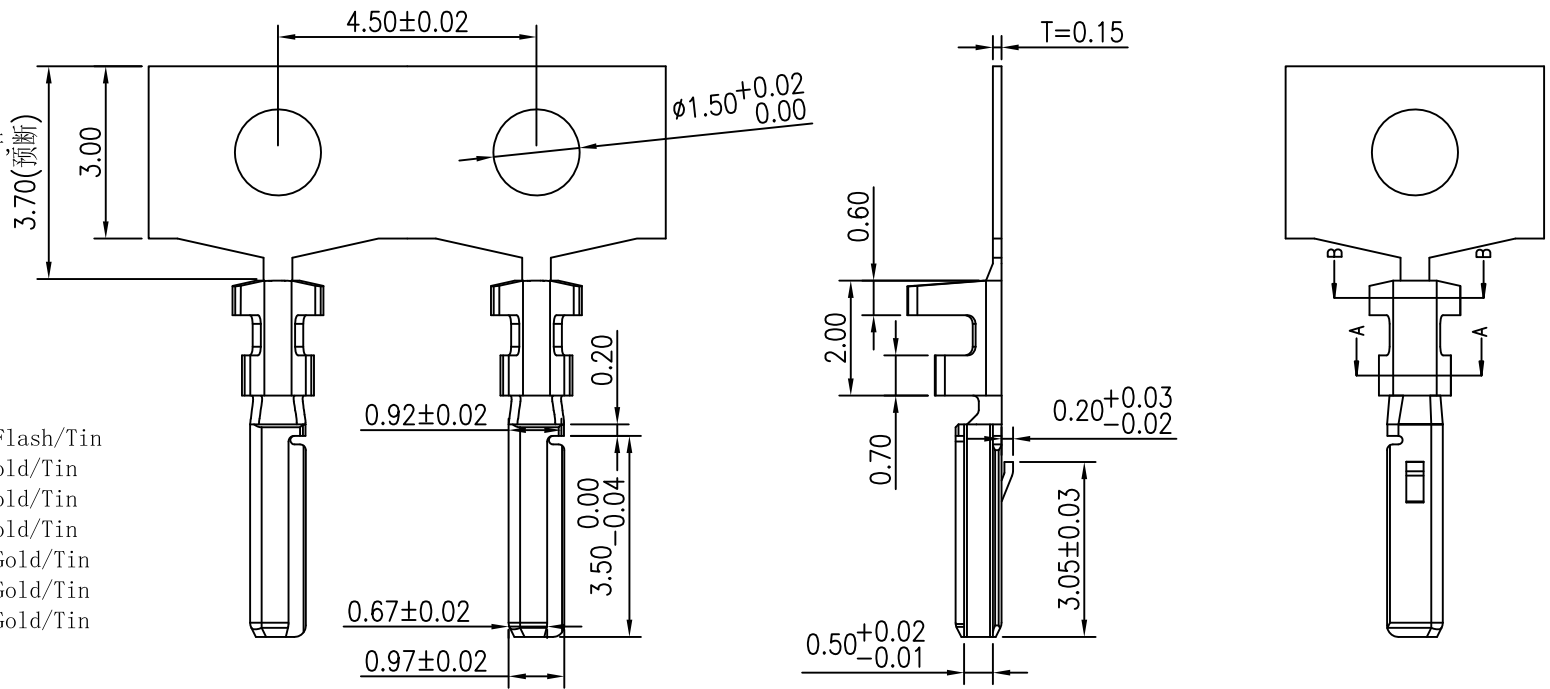
PART NO:

63D3-M T 01-2 00

M=公头
T=端子
流水码:
01~99

端子电镀:
00=素材
S0=Gold Flash/Tin
S1=1u" Gold/Tin
S2=3u" Gold/Tin
S3=5u" Gold/Tin
S4=10u" Gold/Tin
S5=15u" Gold/Tin
S6=30u" Gold/Tin

材质:
2=C5191



					OPERATION	DRAW	Mr.Zeng	2025.03.21	SOLEPIN 东莞市硕品电子有限公司			
					X.X ±0.10	DESIGN	Jensen	2025.03.21	PROFESSIONAL CONNECTOR DONGGUAN SOLEPIN ELECTRONICS CO., LTD.			
					X.XX ±0.05	CHECK	Jack	2025.03.21	SIZE	A4	PART NO.	63D3-M T 01-2 00
					X.XXX ±0.02	APPROVE	Andy	2025.03.21	SHEET	1/1	TITLE:	63D3 1.25mm W/B CONN.DUAL PLUG TERMINAL
AO		NEW			Angle ±1°	UNIT	mm	SCALE	1:1	PROJ.	DRAW NO.	SP-1431
REV	DATE	MODIFICATION DESCRIPTION	CHANGE	APPROVE	DIM.	TOL						