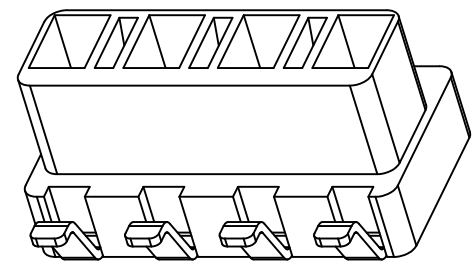
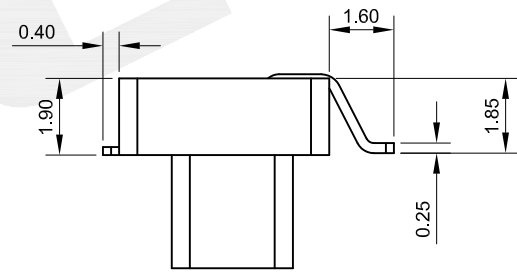


PCB LAYOUT



NOTES:
 INSULATOR MATERIAL: POLYESTER UL94 V-0
 CONTACT MATERIAL: BRASS
 DIELECTRIC WITHSTANDING: AC 500V
 CURRENT RATING: 2A
 VOLTAGE RATING: 250V AC/DC
 INSULATION RESISTANCE: 1000MΩ MIN
 OPERATION TEMPERATURE: -40 °C TO +105 °C
 CONTACT PLATING: SN PLATED ON NICKEL OVERALL

PART NO: 1016-F04MXX01

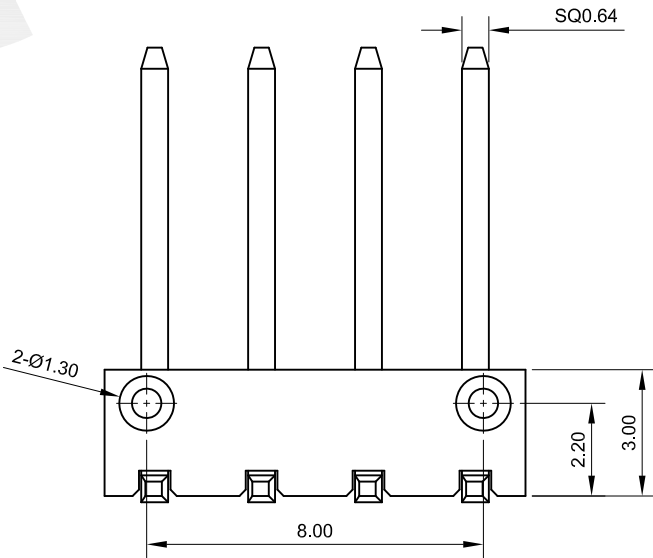
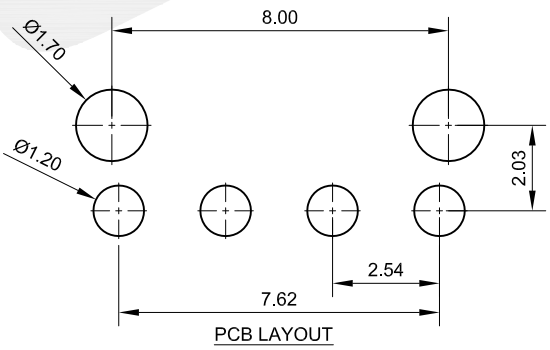
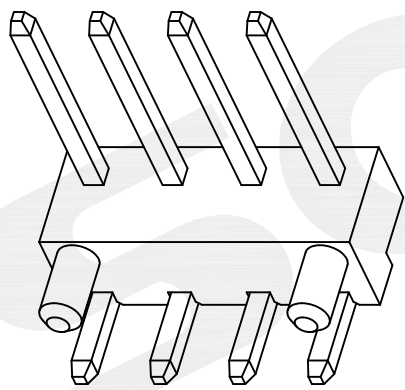
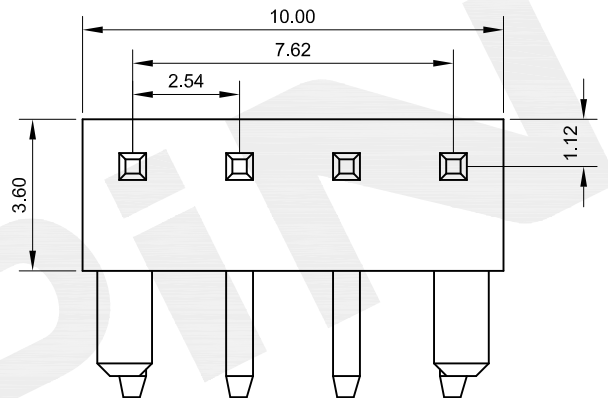
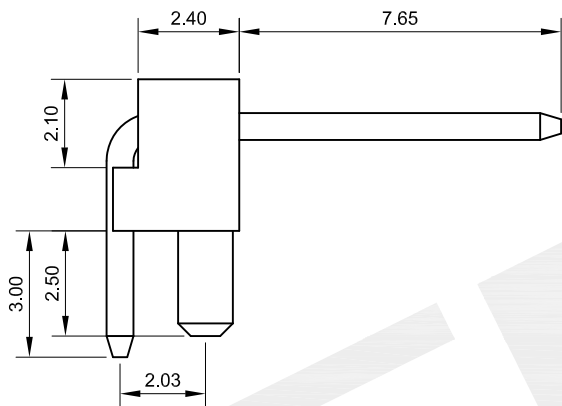
SN: Tin

					OPERATION	DRAW	Loong	2018/11/27	SCALE	FIT	SOLEPIN 东莞市硕品电子有限公司 DONGGUAN SOLEPIN ELECTRONICS CO., LTD. Specializing in the production of connectors and wiring harness products. HTTP://WWW.SOLEPIN.COM E-MAIL: SALES@SOLEPIN.COM TEL: 0769-83003805 FAX: 0769-83003036
					X.X ±0.30	DESIGN	Loong	2018/11/27	UNIT	mm	
					X.XX ±0.20	CHECK	Loong	2018/11/27	SIZE	A4	
					X.XXX ±0.10	APPROVE	Loong	2018/11/27	SHEET	1/1	
A0	20181203	NEW	Loong	Andy	Angle ±3°				TITLE:	2.54mm 4P Connector/F	
REV	DATE	MODIFICATION DESCRIPTION	CHANGE	APPROVE	DIM TOL		Loong	2018/11/27	PROJ.	DWG.No.	

NOTES:
 INSULATOR MATERIAL: POLYESTER UL94 V-0
 CONTACT MATERIAL: BRASS
 DIELECTRIC WITHSTANDING: AC 500V
 CURRENT RATING: 2A
 VOLTAGE RATING: 250V AC/DC
 INSULATION RESISTANCE: 1000MΩ MIN
 OPERATION TEMPERATURE: -40°C TO +105°C
 CONTACT PLATING: SN PLATED ON NICKEL OVERALL

PART NO: 1016-F04MXX01

SN: Tin



					OPERATION	DRAW	Loong	2018/11/27	SCALE	FIT	SOLEPIN 东莞市硕品电子有限公司 DONGGUAN SOLEPIN ELECTRONICS CO., LTD. Specializing in the production of connectors and wiring harness products. HTTP://WWW.SOLEPIN.COM E-MAIL:SALES@SOLEPIN.COM TEL:0769-83003805 FAX:0769-83003036
					X.X ±0.30	DESIGN	Jensen	2018/11/27	UNIT	mm	
					X.XX ±0.20	CHECK	Jack	2018/11/27	SIZE	A4	
					X.XXX ±0.10	APPROVE	Andy	2018/11/27	SHEET	1/1	
A/0	2018/11/27	NEW	Loong	Andy	Angle ±3°	APPROVE	Andy	2018/11/27	PROJ.	⊕	PART NO. 1016-F04MXX01
REV	DATE	MODIFICATION DESCRIPTION	CHANGE	APPROVE	DIM TOL						TITLE: 2.54mm 4Pin Connector/F