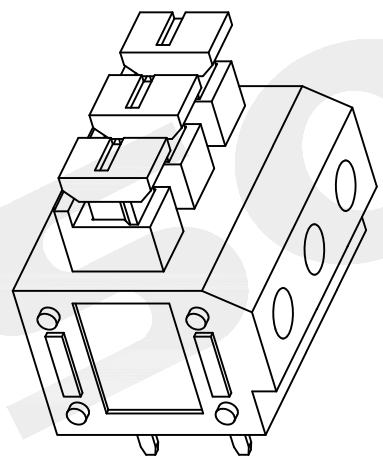
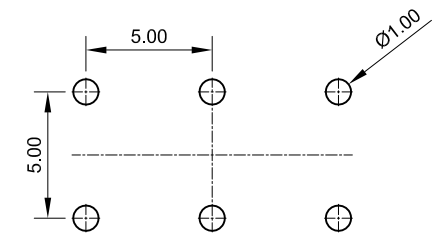
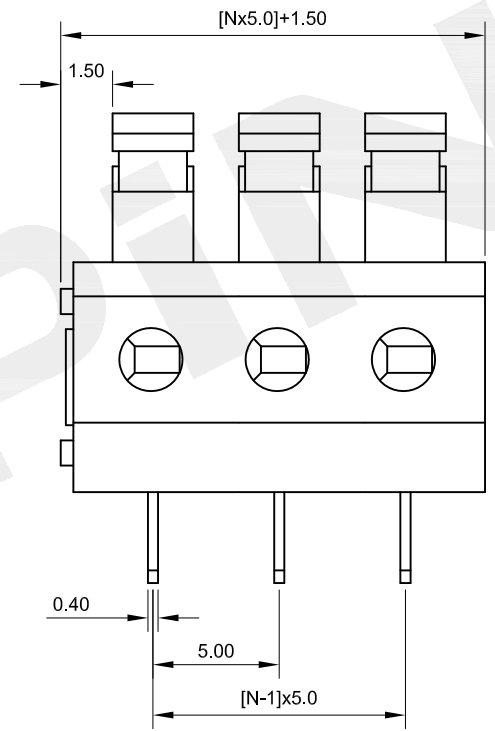
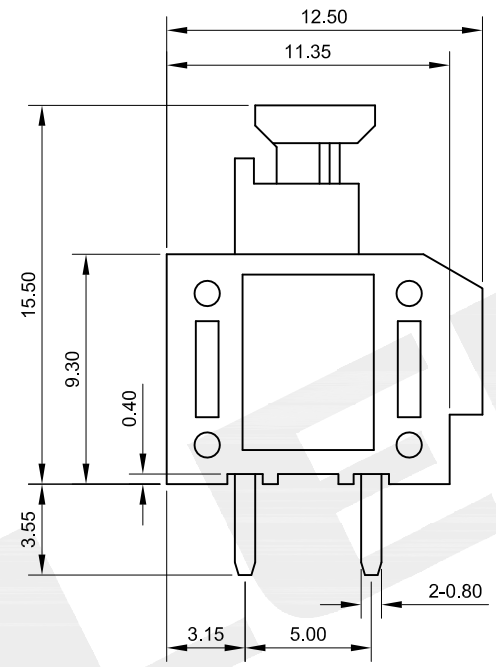


NOTES:
 INSULATOR MATERIAL:POLYESTER,UL94 V-0
 CONTACT MATERIAL:PHOSPHOR BRASS
 VOLTAGE RATING:3000V,AC/DC
 CURRENT RATING:10A
 OPERATION TEMPERATURE:-40°C TO +105°C
 WIRE SIZE:AWG 22~14

PART NO:1027-AXXMX01
 01:1PIN
 02:2PIN
 03:3PIN
 04:4PIN
 G0:Gold Flash
 SN:TIN



					OPERATION	DRAW	Loong	20181218	SCALE	FIT	SOLEPIN 东莞市硕品电子有限公司 DONGGUAN SOLEPIN ELECTRONICS CO., LTD. Specializing in the production of connectors and wiring harness products. HTTP://WWW.SOLEPIN.COM E-MAIL:SALES@SOLEPIN.COM TEL:0769-83003805 FAX:0769-83003036	
					X.X ±0.40	DESIGN	Jensen	20181218	UNIT	mm		
					X.XX ±0.25				SIZE	A4		PART NO.
A/1	20181218	NEW	Loong	Andy	X.XXX ±0.15	CHECK	Jack	20181218	SHEET	1/1		TITLE:
REV	DATE	MODIFICATION DESCRIPTION	CHANGE	APPROVE	Angle ±3°	APPROVE	Andy	20181218	PROJ.		DWG.No.	
					DIM TOL							