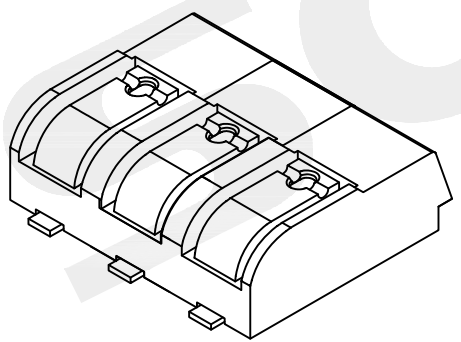
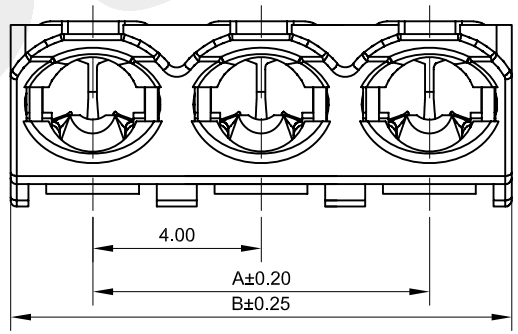
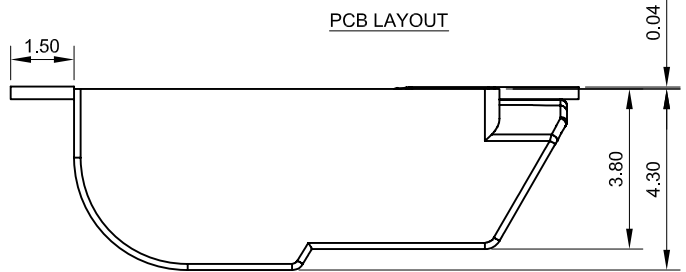
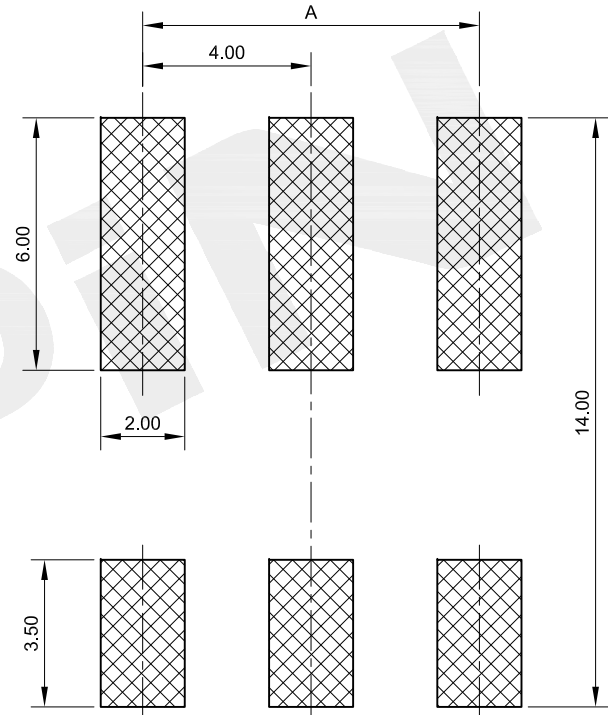
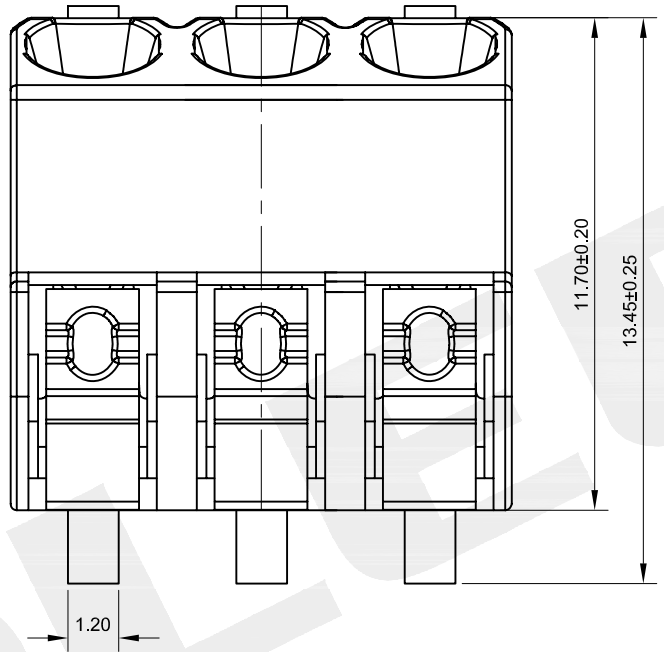


NOTES:  
 INSULATOR MATERIAL:POLYESTER,UL94 V-0  
 CONTACT MATERIAL:PHOSPHOR BRASS  
 VOLTAGE RATING:250V  
 CURRENT RATING:10A  
 DIELECTRIC WITHSTAND VOLTAGE:AC1500V,1MINUTE  
 WIRE SIZE:AWG 16~20  
 OPERATION TEMPERATURE:-40°C TO +105°C

PART NO:  
 1026-AXXMX01

G0:Gold Flash  
 SN:TIN  
 02:2PIN  
 03:3PIN

DIMENSION ANTITHESES LIST		
ITEM	A	B
2P	4.00	8.00
3P	8.00	12.00



REV	DATE	MODIFICATION DESCRIPTION	CHANGE	APPROVE	DIM	TOL	OPERATION	DRAW	Loong	20181218	SCALE	FIT	<b>SOLEPIN</b> 东莞市硕品电子有限公司 <small>DONGGUAN SOLEPIN ELECTRONICS CO., LTD.</small> <small>Specializing in the production of connectors and wiring harness products.</small> <small>HTTP://WWW.SOLEPIN.COM E-MALL:SALES@SOLEPIN.COM TEL:0769-83003805 FAX:0769-83003036</small>	
A0	20181218	NEW	Loong	Andy			X.X	±0.40				UNIT	mm	PART NO. 1026-AXXMX01
							X.XX	±0.25	DESIGN	Jensen	20181218	SIZE	A4	
							X.XXX	±0.15	CHECK	Jack	20181218	SHEET	1/1	DWG.No.
							Angle	±3°	APPROVE	Andy	20181218	PROJ.	⊕	