

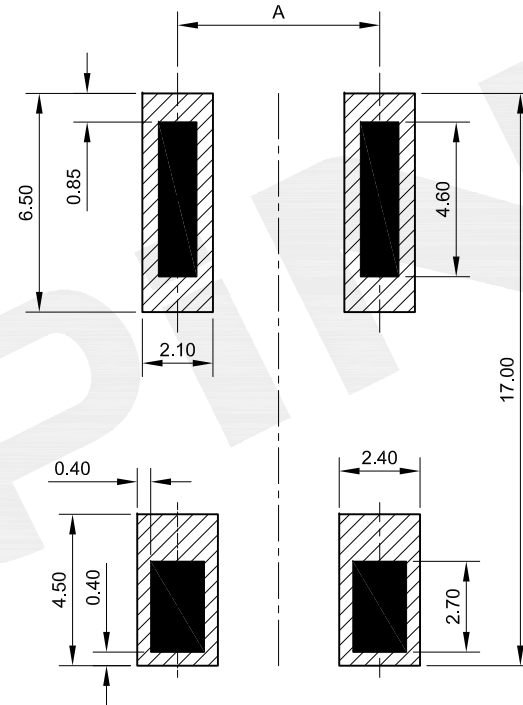
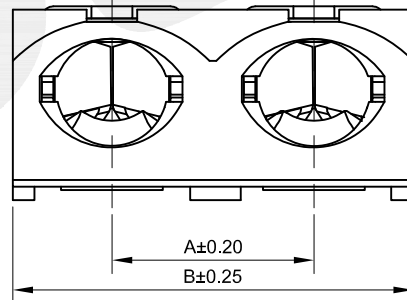
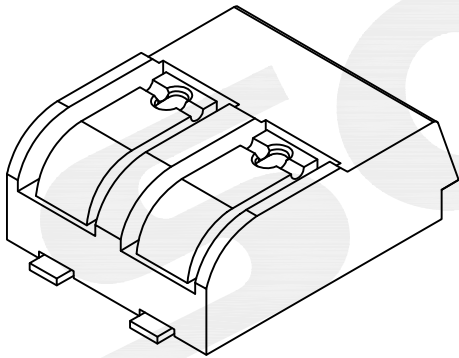
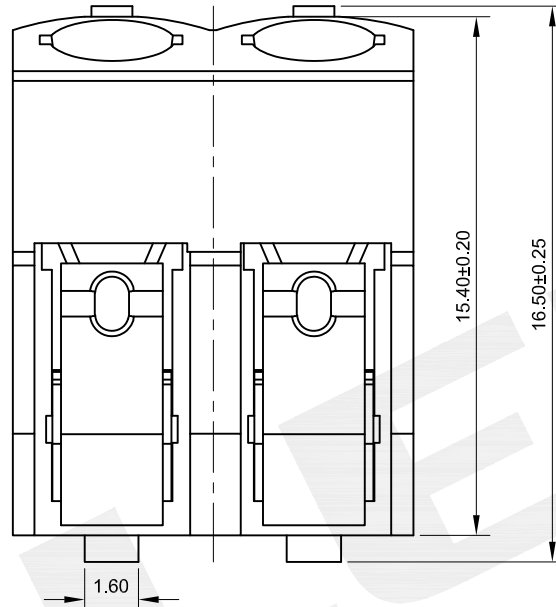
NOTES:
 INSULATOR MATERIAL:POLYESTER,UL94 V-0
 CONTACT MATERIAL:PHOSPHOR BRASS
 VOLTAGE RATING:250V
 CURRENT RATING:10A
 DIELECTRIC WITHSTAND VOLTAGE:AC1500V,1MINUTE
 WIRE SIZE:AWG 16-20
 OPERATION TEMPERATURE:-40°C TO +105°C

PART NO:
 1025-AXXMXX01

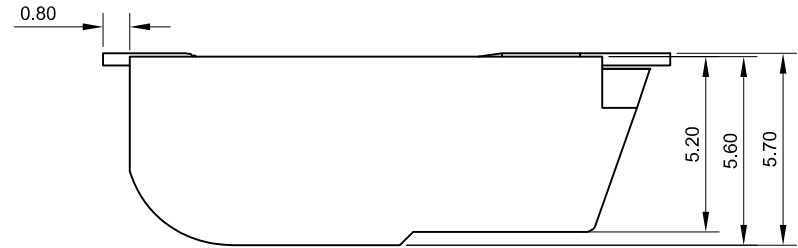
G0:Gold Flash
 SN:TIN

01:1PIN
 02:2PIN
 03:3PIN

DIMENSION ANTITHESES LIST		
ITEM	A	B
1P	---	5.80
2P	6.00	11.80
3P	12.00	17.80



PCB LAYOUT



REV	DATE	MODIFICATION DESCRIPTION	CHANGE	APPROVE	OPERATION		DRAW	Loong	20181218	SCALE	FIT	SOLEPIN 东莞市硕品电子有限公司	
					DIM	TOL						DONGGUAN SOLEPIN ELECTRONICS CO., LTD. <small>Specializing in the production of connectors and wiring harness products. HTTP://WWW.SOLEPIN.COM E-MAIL:SALES@SOLEPIN.COM TEL:0769-83003805 FAX:0769-83003036</small>	
A/1	20181218	NEW	Loong	Andy	X.X	±0.40	DESIGN	Jensen	20181218	UNIT	mm	PART NO.	1025-AXXMXX01
					X.XX	±0.25	CHECK	Jack	20181218	SIZE	A4	TITLE:	PH6.00mm Connector
					X.XXX	±0.15	APPROVE	Andy	20181218	SHEET	1/1	DWG.No.	
					Angle	±3°				PROJ.			