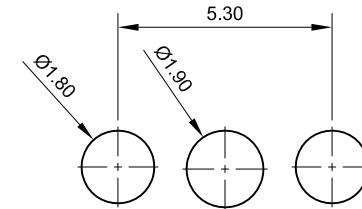
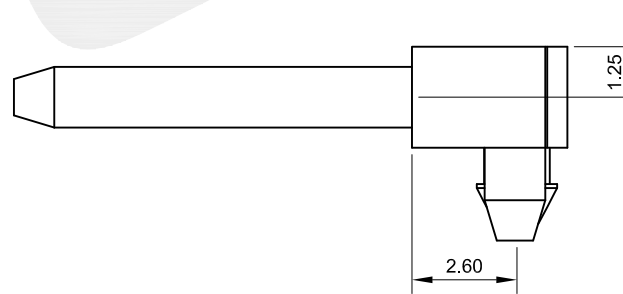
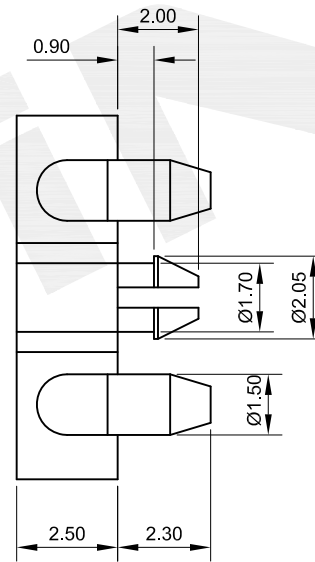
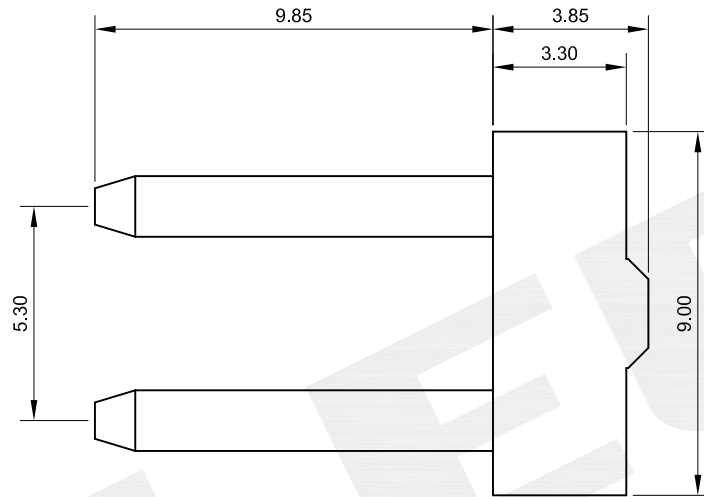
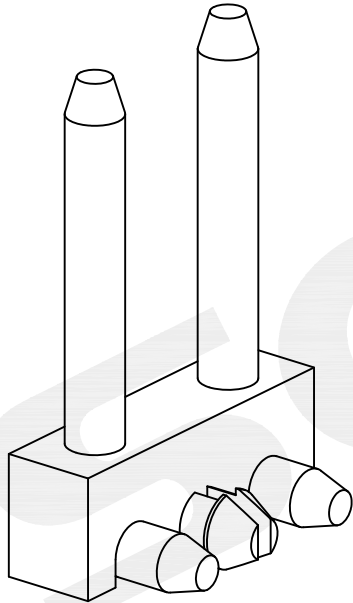


NOTES:
 INSULATOR MATERIAL:PA9T UL94V-0
 CONTACT MATERIAL:BRASS
 CURRENT RATING:2A
 INSULATION RESISTANCE:1000MΩ MIN
 DIELECTRIC WITHSTANDING: 600V AC/DC
 CONTACT RESISTANCE:20mΩ MAX
 OPERATION TEMPERATURE:-40℃ TO +105℃

PART NO:1024-F02RXX01

SN: Tin



PCB LAYOUT

						OPERATION	DRAW	Loong	20181218	SCALE	FIT	SOLEPIN 东莞市硕品电子有限公司 DONGGUAN SOLEPIN ELECTRONICS CO., LTD. Specializing in the production of connectors and wiring harness products. HTTP://WWW.SOLEPIN.COM E-MAIL:SALES@SOLEPIN.COM TEL:0769-83003805 FAX:0769-83003036	
						X.X ±0.40	DESIGN	Jensen	20181218	UNIT	mm		
						X.XX ±0.25	CHECK	Jack	20181218	SIZE	A4		PART NO. 1024-F02RXX01
						X.XXX ±0.15	APPROVE	Andy	20181218	SHEET	1/1		TITLE: PH5.30mm CONNECTOR
A/1	20181218	NEW	Loong	Andy		Angle ±3°				PROJ.	⊕	DWG.No.	
REV	DATE	MODIFICATION DESCRIPTION	CHANGE	APPROVE		DIM TOL							