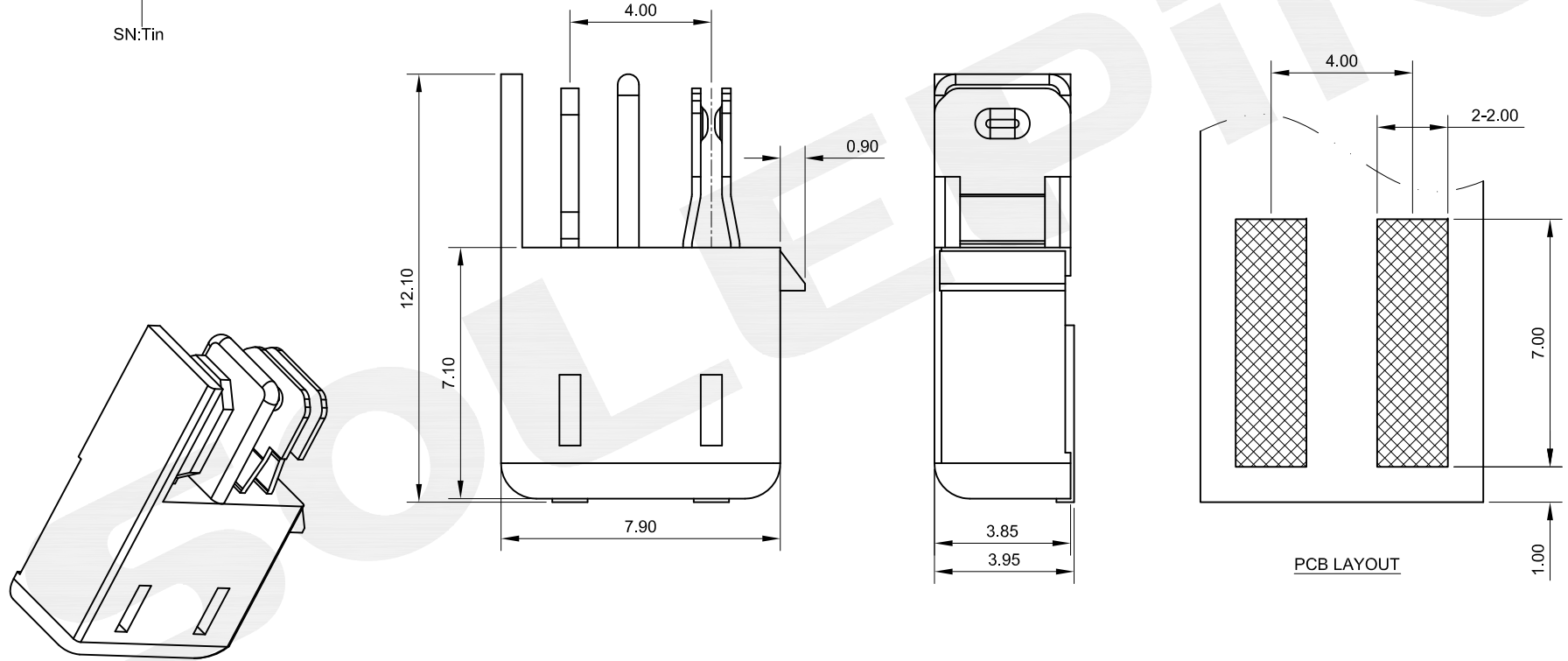


NOTES:
 INSULATOR MATERIAL:PA9T UL94V-0
 CONTACT MATERIAL:BRASS
 CURRENT RATING:2A
 INSULATION RESISTANCE:1000MΩ MIN
 DIELECTRIC WITHSTANDING: 600V AC/DC
 CONTACT RESISTANCE:20mΩ MAX
 OPERATION TEMPERATURE:-40℃ TO +105℃

PART NO:1023-AXXMXX01

SN:Tin



					OPERATION	DRAW	Loong	2018/03/06	SCALE	FIT	SOLEPIN 东莞市硕品电子有限公司 DONGGUAN SOLEPIN ELECTRONICS CO., LTD. <small>Specializing in the production of connectors and wiring harness products. HTTP://WWW.SOLEPIN.COM E-MAIL:SALES@SOLEPIN.COM TEL:0769-83003805 FAX:0769-83003036</small>
					X.X ±0.40	DESIGN	Jensen	2018/03/06	UNIT	mm	
					X.XX ±0.25	CHECK	Jack	2018/03/06	SIZE	A4	
A/1	2018/3/6	NEW	Loong	Andy	X.XXX ±0.15	APPROVE	Andy	2018/03/06	SHEET	1/1	
REV	DATE	MODIFICATION DESCRIPTION	CHANGE	APPROVE	Angle ±3°				PROJ.	⊕	PART NO. 1023-AXXMXX01
					DIM TOL						TITLE: LED CONNECTOR
											DWG.No.