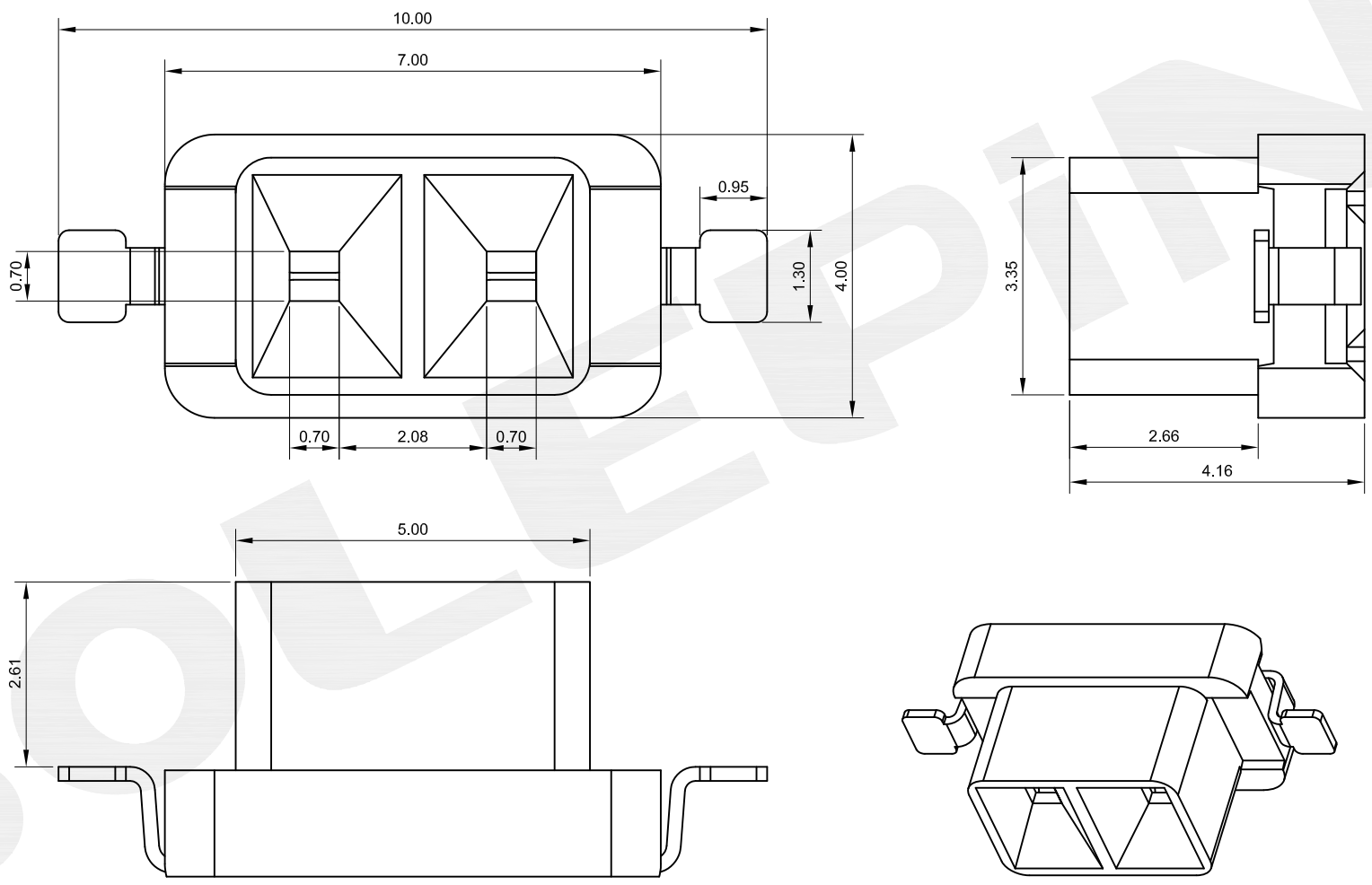


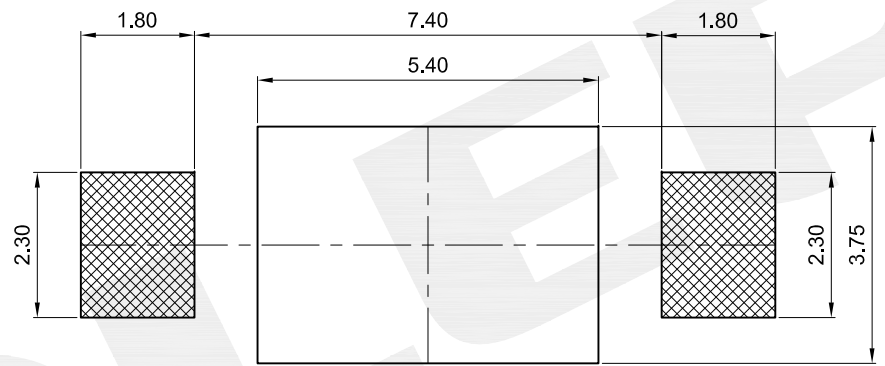
NOTES:
 INSULATION MATERIAL:LCP UL94V-0
 CONTACT MATERIAL:BRASS
 CURRENT RATIONG:1A
 INSULATION RESISTANCE:100MΩ MIN
 DIELECTRIC WITHSTANDING:500V AC/DC
 CONTACT RESISTANCE:20mΩ MAX
 OPERATING TEMPERATURE:-40℃~+105℃

PART NO:1008- 02MXX01

SN:TIN



					OPERATION	DRAW	Loong	20190103	SCALE	FIT	SOLEPIN 东莞市硕品电子有限公司		
					X.X ±0.40	DESIGN	Jensne	20190103	UNIT	mm	DONGGUAN SOLEPIN ELECTRONICS CO., LTD. Specializing in the production of connectors and wiring harness products. HTTP://WWW.SOLEPIN.COM E-MAIL:SALES@SOLEPIN.COM TEL:0769-83003805 FAX:0769-83003036		
					X.XX ±0.25		CHECK	Jack	20190103	SIZE	A4	PART NO.	1008- 02MXX01
A0	20190103	NEW	Loong	Andy	X.XXX ±0.15		APPROVE	Andy	20190103	SHEET	1/2	TITLE:	LED 2PIN CONNECTOR/F
REV	DATE	MODIFICATION DESCRIPTION	CHANGE	APPROVE	Angle ±3°	DIM		TOL	PROJ.	DWG.No.			



PCB LAYOUT

					OPERATION	DRAW	Loong	20190103	SCALE	FIT	SOLEPIN 东莞市硕品电子有限公司 DONGGUAN SOLEPIN ELECTRONICS CO., LTD. <small>Specializing in the production of connectors and wiring harness products. HTTP://WWW.SOLEPIN.COM E-MAIL:SALES@SOLEPIN.COM TEL:0769-83003805 FAX:0769-83003036</small>	
					X.X	±0.40			UNIT	mm		
					X.XX	±0.25	DESIGN	Jensne	20190103	SIZE	A4	PART NO. 1008- 02MXX01
A0	20190103	NEW	Loong	Andy	X.XXX	±0.15	CHECK	Jack	20190103	SHEET	2/2	TITLE: LED 2PIN CONNECTOR/F
REV	DATE	MODIFICATION DESCRIPTION	CHANGE	APPROVE	Angle	±3°	APPROVE	Andy	20190103	PROJ.		DWG.No.
					DIM	TOL						