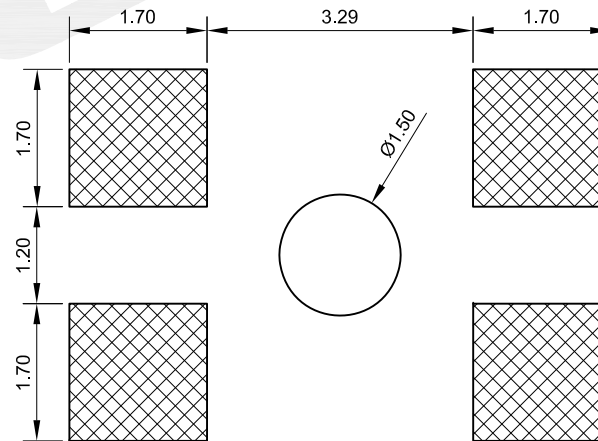
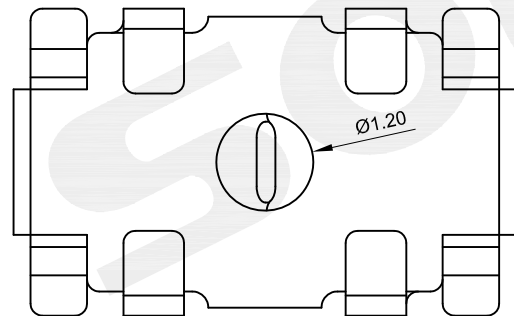
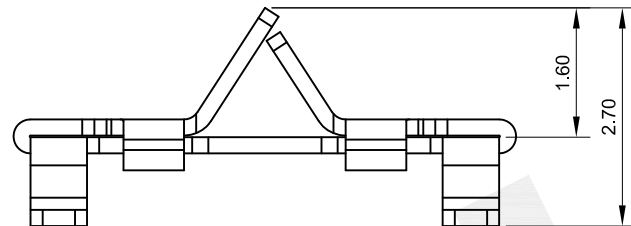


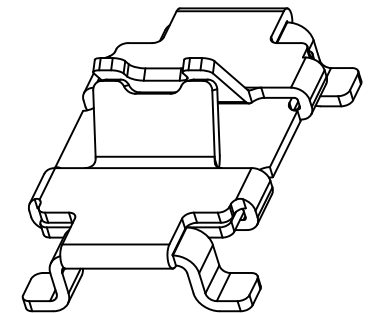
NOTES:
 VOLTAGE RATING:275V AC/DC
 CURRENT RATING:1A
 CONTACT RESISTANCE:≤60mΩ
 INSULATION RESISTANCE:≥100MΩ
 WITHSTANDING VOLTAGE:500V AC/1MIN
 DURABILITY:≥100 MATING CYCLES
 TEMPERATURE RANGE: -25℃-105℃
 CONTACT MATERIAL:PHOSPHOR BRONZE OR BRASS

PART NO:1019 - A00MXX01

SN:TIN



PCB LAYOUT



REV	DATE	MODIFICATION DESCRIPTION	CHANGE	APPROVE	DIM	TOL	OPERATION	DRAW	Loong	2018/12/7	SCALE	FIT	SOLEPIN 东莞市硕品电子有限公司 DONGGUAN SOLEPIN ELECTRONICS CO., LTD. Specializing in the production of connectors and wiring harness products. HTTP://WWW.SOLEPIN.COM E-MALL:SALES@SOLEPIN.COM TEL:0769-83003805 FAX:0769-83003036	
A0	2018/12/7	NEW	Loong	Andy	X.X	±0.30	DESIGN	Jensen	2018/12/7	UNIT	mm	SHEET	1/1	PART NO. 1019-A00MXX01
					X.XX	±0.15	CHECK	Jack	2018/12/7	SIZE	A4	TITLE:	LED CONNECTOR	
					X.XXX	±0.05	APPROVE	Andy	2018/12/7	SHEET	1/1	PROJ.	⊕	DWG.No.
					Angle	±3°								