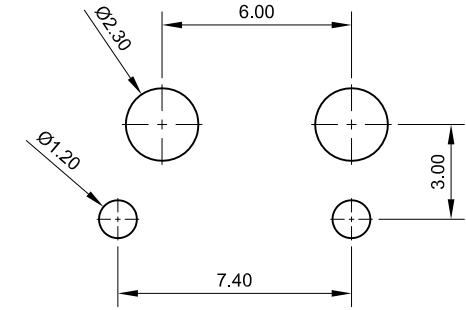
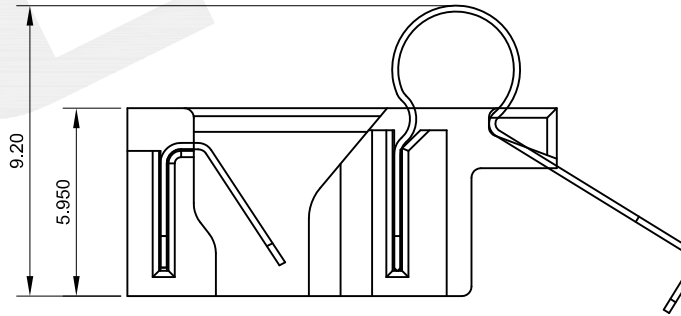
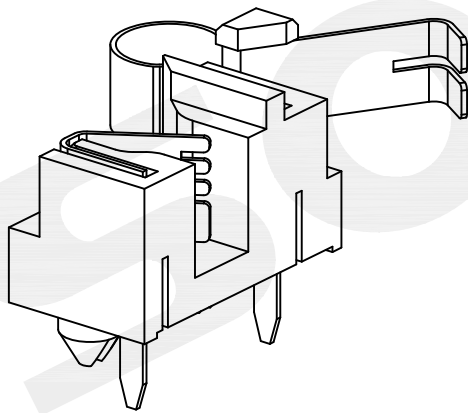
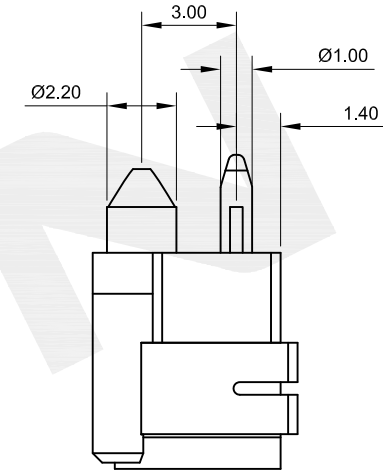
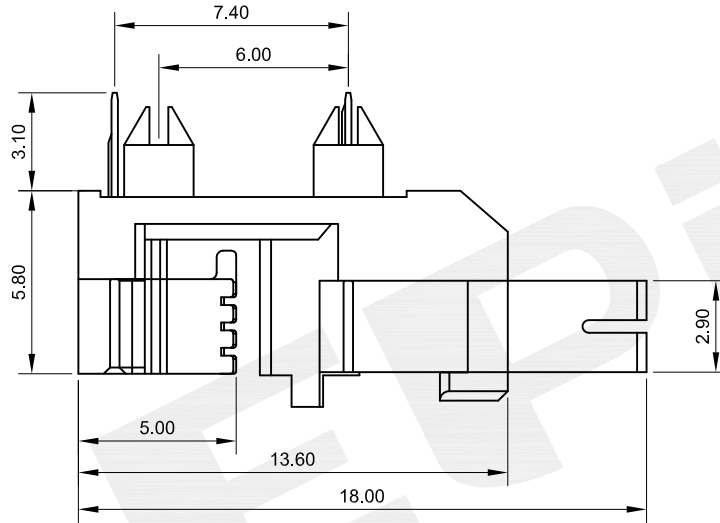


SPECIFICATIONS:
 INSULATOR MATERIAL:PBT+30%G.F
 CONTACT MATERIAL:PHOSPHOR BRONZE
 CURRENT RATING:2A
 OPERATION TEMPERATURE:-40℃ TO +105℃
 INSULATION RESISTANCE:5000MΩ MIN AT DC 500V
 DIELECTRIC WITHSTANDING:AC 500V

PART NO:1019-M02SXX01

SN: Tin



PCB LAYOUT

					OPERATION	DRAW	Loong	2017/06/06	SCALE	FIT	SOLEPIN 东莞市硕品电子有限公司 DONGGUAN SOLEPIN ELECTRONICS CO., LTD. Specializing in the production of connectors and wiring harness products. HTTP://WWW.SOLEPIN.COM E-MAIL:SALES@SOLEPIN.COM TEL:0769-83003805 FAX:0769-83003036
					X.X ±0.40	DESIGN	Jensen	2017/06/06	UNIT	mm	
					X.XX ±0.25		CHECK	Jack	2017/06/06	SIZE	
					X.XXX ±0.15	APPROVE		Andy	2017/06/06	SHEET	
A/0	2017/6/6	NEW	Loong	Andy	Angle ±3°					PART NO.	1019-M02SXX01
REV	DATE	MODIFICATION DESCRIPTION	CHANGE	APPROVE	DIM TOL				TITLE:	PIN HEADER PITCH 2.0MM DIP	
									PROJ.	DWG.No.	