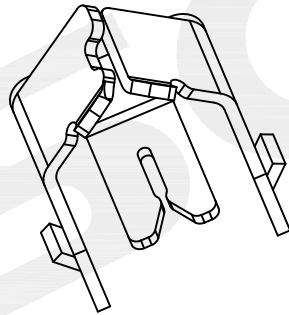
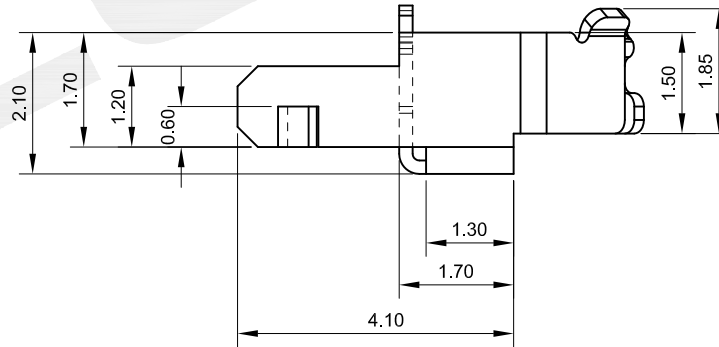
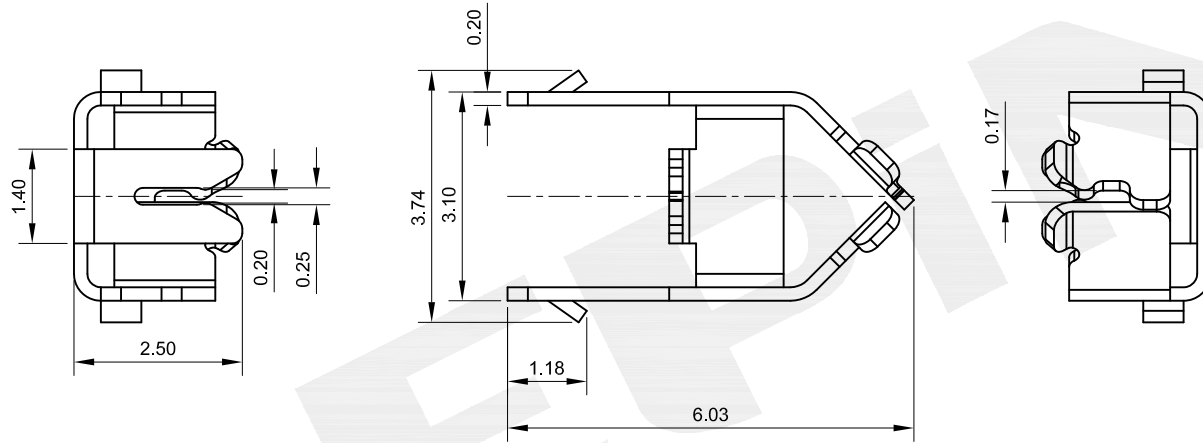


NOTES:
 CONTACT MATERIAL:PHOSPHOR BRONZE
 VOLTAGE RATING:275V.AC/DC
 CURRENT RATING:1A
 CONTACT RESISTANCE:≤60mΩ
 INSULATION RESISTANCE:≥100MΩ
 WITHSTANDING VOLTAGE:500V.AC/1MIN
 DURABILITY:≥100 MATING CYCLES
 TEMPERATURE RANGE: -25°C-105°C

PART NO:1017-A00SXX01

SN:TIN



					OPERATION	DRAW	Loong	2018/12/6	SCALE	FIT	SOLEPIN 东莞市硕品电子有限公司 DONGGUAN SOLEPIN ELECTRONICS CO., LTD. Specializing in the production of connectors and wiring harness products. HTTP://WWW.SOLEPIN.COM E-MAIL:SALES@SOLEPIN.COM TEL:0769-83003805 FAX:0769-83003036
					X.X ±0.30	DESIGN	Jensen	2018/12/6	UNIT	mm	
					X.XX ±0.20	CHECK	Jack	2018/12/6	SIZE	A4	
					X.XXX ±0.10	APPROVE	Andy	2018/12/6	SHEET	1/2	
A/0	2018/12/6	NEW	Loong	Andy	Angle ±3°				PART NO.	1017-A00SXX01	
REV	DATE	MODIFICATION DESCRIPTION	CHANGE	APPROVE	DIM TOL	APPROVE	Andy	2018/12/6	TITLE:	7.50mm4PinLED灯板插板端子	
						PROJ.			DWG.No.		