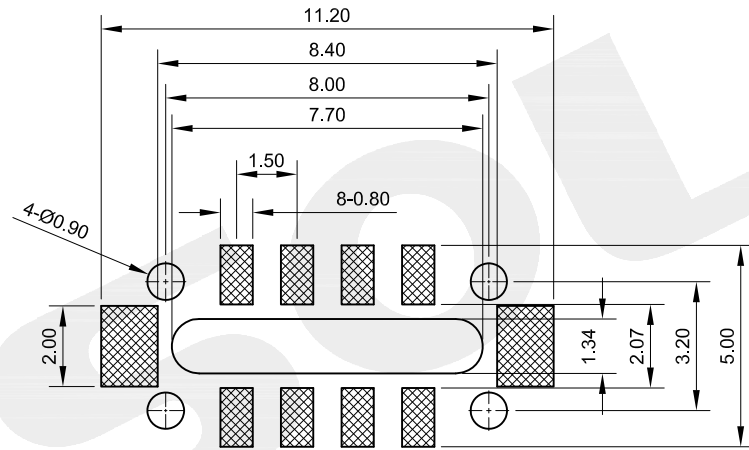
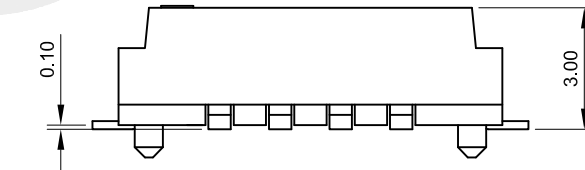
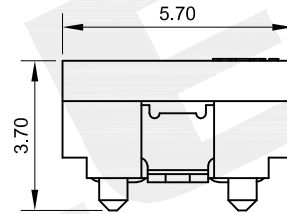
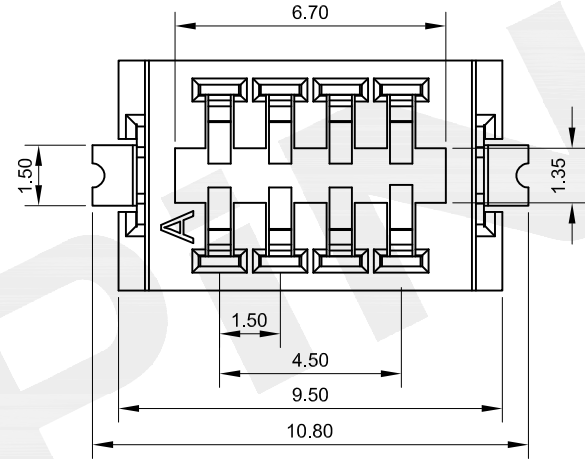
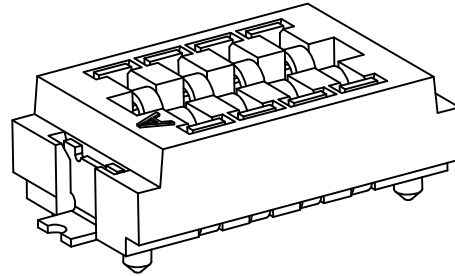


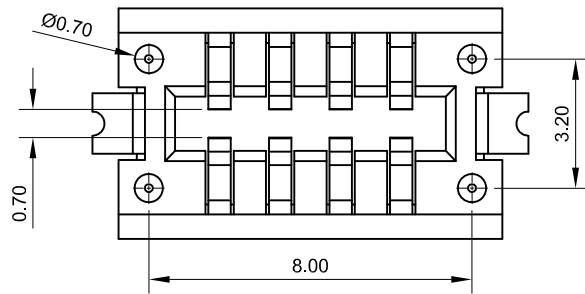
NOTES:
 SOCKET MATERIAL: PA9T UL94V-0
 CONTACT MATERIAL: PHOSPHOR BRONZE
 VOLTAGE RATING: 125V AC/DC
 CURRENT RATING: 1A
 CONTACT RESISTANCE: $\leq 20m\Omega$
 INSULATION RESISTANCE: $\geq 1000M\Omega$
 WITHSTANDING VOLTAGE: 1000V AC/1MIN
 DURABILITY: ≥ 100 MATING CYCLES
 TEMPERATURE RANGE: $-40^{\circ}C-110^{\circ}C$

PART NO: 1007-F08MXX01

SN: TIN



PCB LAYOUT



					OPERATION	DRAW	Loong	20181108	SCALE	FIT	SOLEPIN 东莞市硕品电子有限公司 DONGGUAN SOLEPIN ELECTRONICS CO., LTD. Specializing in the production of connectors and wiring harness products. HTTP://WWW.SOLEPIN.COM E-MAIL:SALES@SOLEPIN.COM TEL:0769-83003805 FAX:0769-83003036
					X.X	±0.40			UNIT	mm	
					X.XX	±0.25			SIZE	A4	
					X.XXX	±0.15			SHEET	1/1	
A/1	20181108	NEW	Loong	Andy	Angle	±3°			PART NO.	1007-F08MXX01	
REV	DATE	MODIFICATION DESCRIPTION	CHANGE	APPROVE	DIM	TOL	APPROVE	Andy	20181108	TITLE:	8PIN LED CONNECTOR/SMT
									PROJ.	DWG.No.	