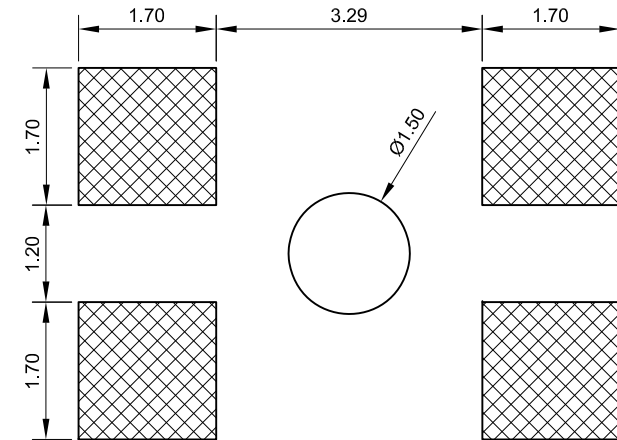
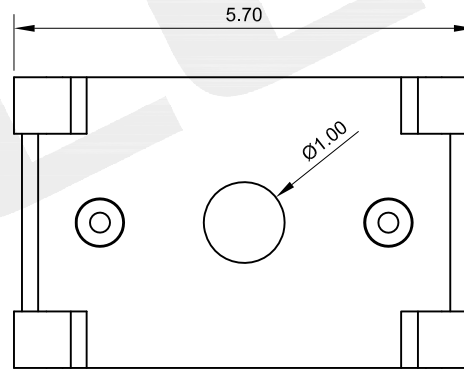
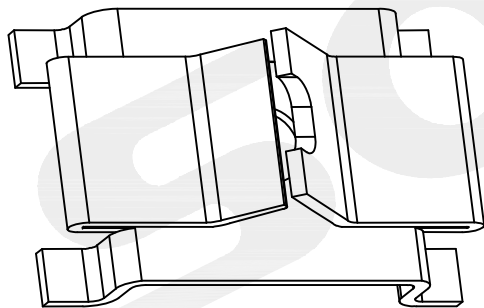
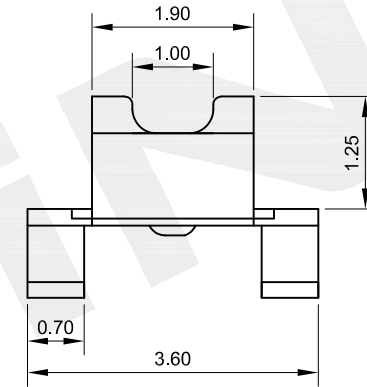
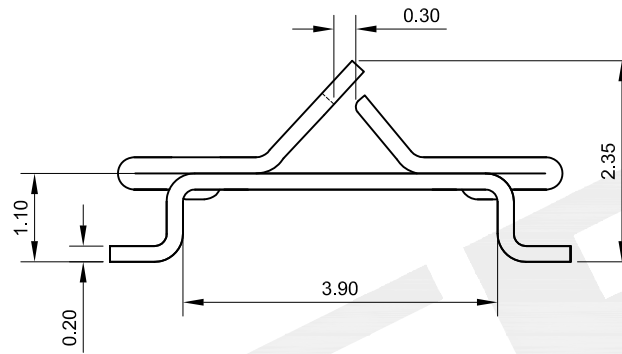


NOTES:
 CONTACT MATERIAL: PHOSPHOR BRONZE OR BRASS
 VOLTAGE RATING: 275V.AC/DC
 CURRENT RATING: 1A
 CONTACT RESISTANCE: $\leq 60\text{m}\Omega$
 INSULATION RESISTANCE: $\geq 100\text{M}\Omega$
 WITHSTANDING VOLTAGE: 500V.AC/1MIN
 DURABILITY: ≥ 100 MATING CYCLES
 TEMPERATURE RANGE: -25°C - 105°C

PART NO: 1002 - 04MSN01

SN: TIN



PCB LAYOUT

					OPERATION	DRAW	Loong	2018/11/08	SCALE	FIT	SOLEPIN 东莞市硕品电子有限公司	
					X.X ± 0.40	DESIGN	Jensen	2018/11/08	UNIT	mm	DONGGUAN SOLEPIN ELECTRONICS CO., LTD.	
				X.XX ± 0.25	SIZE				A4	PART NO.	1002-04MSN01	
				X.XXX ± 0.15	SHEET				1/1	TITLE:	LED CONNECTOR	
A/1	2018/11/08	NEW	Loong	Andy	Angle $\pm 3^{\circ}$	APPROVE	Andy	2018/11/08	PROJ.		DWG.No.	
REV	DATE	MODIFICATION DESCRIPTION	CHANGE	APPROVE	DIM TOL							

Specializing in the production of connectors and wiring harness products.
 HTTP://WWW.SOLEPIN.COM E-MAIL:SALES@SOLEPIN.COM TEL:0769-83003805 FAX:0769-83003036