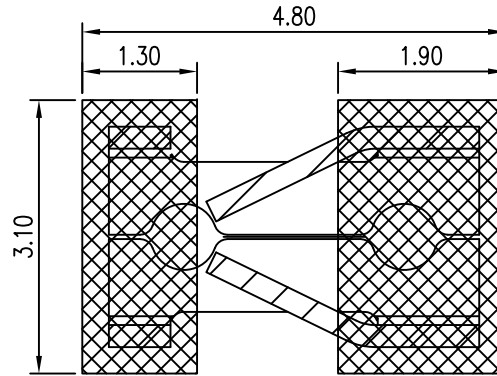


客户图

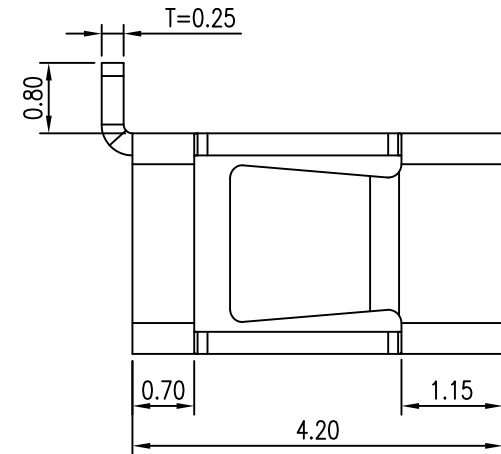
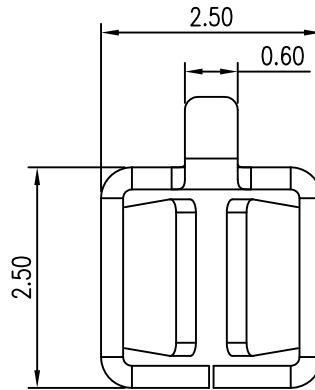
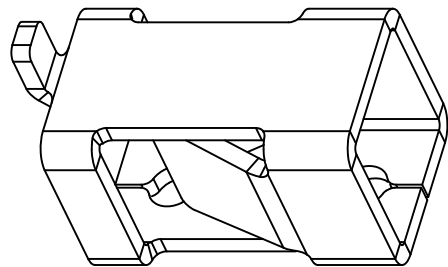
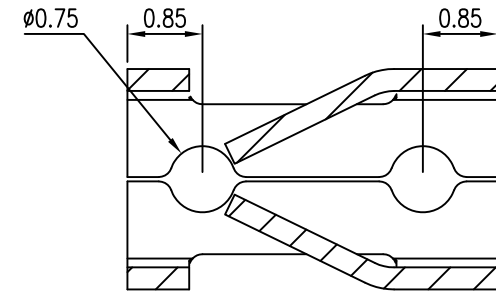
NOTES:
 CONTACT MATERIAL:SUS 304 1/2H
 RATING:275V.AC/DC
 CURRENT RATING:1A
 CONTACT RESISTANCE:≤60mΩ
 DURABILITY:≥100 MATING CYCLES
 TEMPERATURE RANGE: -25°C-105°C

PART NO:1010-A00MSN01

SN:TIN



PCB LAYOUT



						OPERATION	DRAW	WLY	2021.02.20	SOLEPIN 东莞市硕品电子有限公司 Professional connector manufacturer DONGGUAN SOLEPIN ELECTRONICS CO., LTD.			
						X.X ±0.30	DESIGN	Jensen	2021.02.20				
						X.XX ±0.20	CHECK	Jack	2021.02.20				
						X.XXX ±0.10	APPROVE	Andy	2021.02.20				
REV	DATE	MODIFICATION DESCRIPTION	CHANGE	APPROVE		Angle ±3°				SHEET	1/1	TITLE:	1010 LED CONNECTORS
						DIM. TOL	UNIT	mm	SCALE	1:1	PROJ.	DRAW NO.	SP-424